



SEA-BIRD ELECTRONICS, INC.

1808 136th Place N.E., Bellevue, Washington 98005 USA
Telephone: (425) 643-9866 Telex: 292915 SBEI UR
Fax: (425) 643-9954 email: seabird@seabird.com

SBE P/N 50289

DATE	REV	REVISION RECORD	AUTH	DR	CHK
9.29.04	A	Changed Hose Clamp	CB	KLP	

SBE19plus Trittech Altimeter Mount Kit

Kit Contents

SBE P/N	Manufacturer P/N	Primary SBE Application	QTY
231977	SBE 19+ Cage Trittech Mnt Blk	Main sensor mount block	1
30190	Bolt, 1/4-20 x 2-1/2 HEX SS	Secures mount block to cage	1
30216	Nut, 1/4-20 nylon stop	Secures mount block to cage	1
30253	Washer, 1/4 fender, SS, 1"OD	Provides support for Bolt and nut	2
30409	Teflon Tape	Insulates Hose clamp against other materials	1
31337	Hose Clamp, AWAB 316 SS, #64	Secures Trittech to mount block	1

Procedure for Kit Assembly

Drawing number 67112

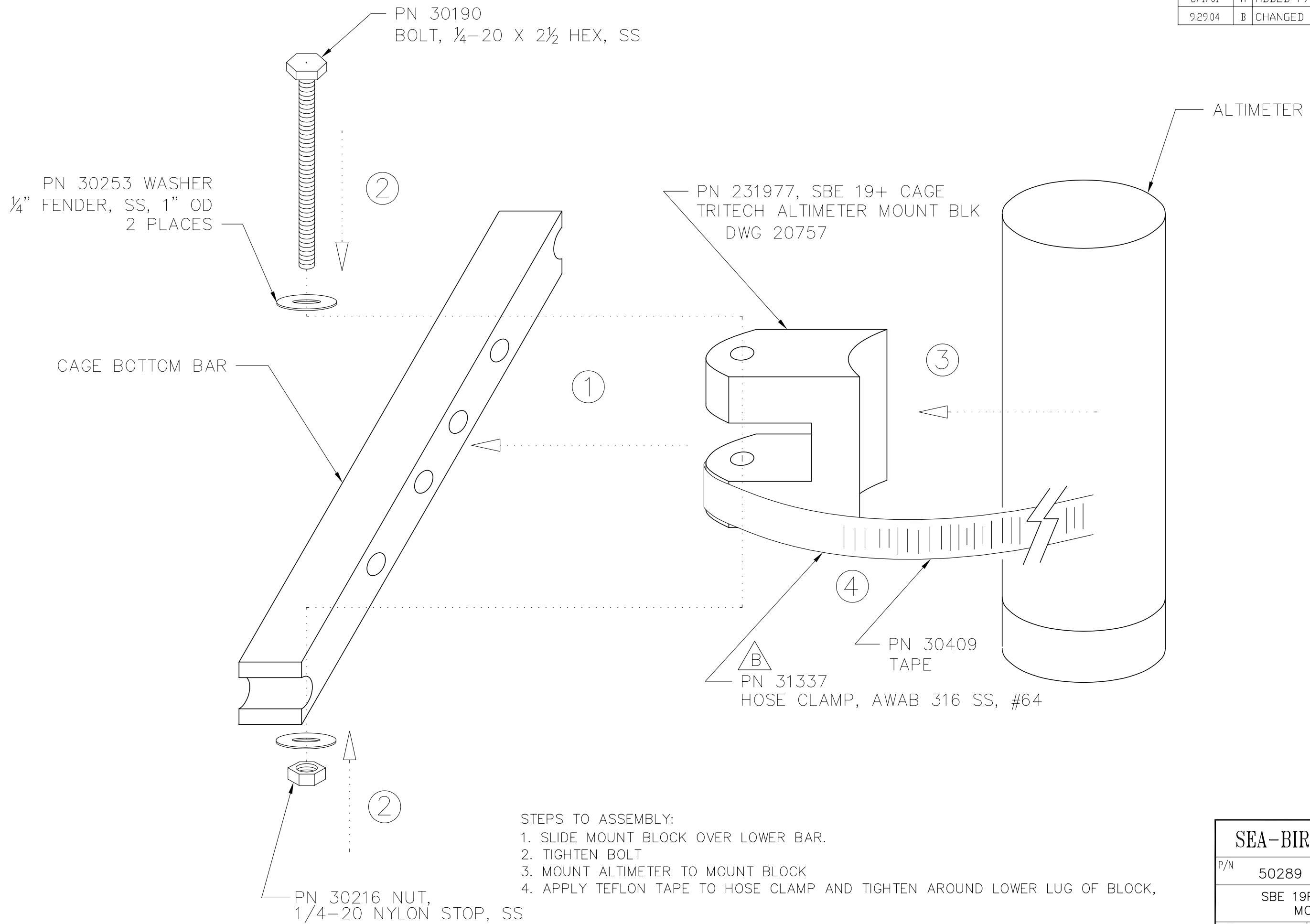
A. Assembly of the mount Block

1. Block (231977) slides onto cage bottom bar as shown.
2. Secure block to age with bolt (30190) and washer (30253) and nut (30216).
3. Hose clamp should be supplied with tape installed.
 - a. To install tape, line up tape with underside of hose clamp at clamp end.
 - b. Run tape along inside of hose clamp, and smooth it down until no air bubbles exist between them.
 - c. With a razor, cut tape off along the sides of the hose clamp.
4. Mount altimeter to block as shown, and tighten hose clamp until snug.

SBE Drawings:
67112 SBE19plus Trittech Altimeter Mount Kit
Assembly

Sea-Bird Electronics Procedure
PROCEDURE NUMBER: **67112**
TITLE: **SBE19plus Trittech Altimeter Mount Kit**
REVISION: **A**
EFFECTIVE DATE: **09/29/04**
CHECKED BY: **KLP** PAGE 1 of 1

DATE	SYM	REVISION RECORD	AUTH.	DR.	CK.
6/1/01	A	ADDED P/N 30253		LRG	
9.29.04	B	CHANGED HOSE CLAMPS	CB	KLP	



- STEPS TO ASSEMBLY:
1. SLIDE MOUNT BLOCK OVER LOWER BAR.
 2. TIGHTEN BOLT
 3. MOUNT ALTIMETER TO MOUNT BLOCK
 4. APPLY TEFLON TAPE TO HOSE CLAMP AND TIGHTEN AROUND LOWER LUG OF BLOCK,

SEA-BIRD ELECTRONICS, INC					
P/N	50289	SCALE	NTS	DRAWN BY	LRG
				APPROVED BY	
SBE 19PLUS TRITECH ALTIMETER MOUNT KIT ASSEMBLY					
DATE	6/1/01	DWG NO.	67112	SHEET	REV
				1 of 1	B