



## SEA-BIRD ELECTRONICS, INC.

1808 136th Place N.E., Bellevue, Washington 98005 USA

Telephone: (425) 643-9866 Telex: 292915 SBEI UR

Fax: (425) 643-9954

email: seabird@seabird.com

SBE P/N 50075

DATE	SYM	REVISION RECORD	AUTH	DR	CHK
11.02	B	Restored Original Assembly Drawing	MJ	MJ	
9.1.04	C	Changed Clamp	CB	KLP	

## Seacat to Li-Cor Par Sensor Mount Kit Assembly

### Kit Contents

SBE P/N	Description	Primary SBE Application	QTY
231949	Seacat Li-Cor Mount Block #1	Main Sensor Mount Assembly	1
231950	Seacat Li-Cor Mount Block #2	Main Sensor Mount Assembly	1
30158	Mach screw, 8-32 x 3/4 PH SS	Secures Li-Cor sensor into Mount	2
30409	Teflon Tape	Installed on Hose Clamp 30379	
30988	Hose Clamp, AWAB 316 SS, #80	Secures Mount Clamp to Seacat Housing	1

### Mount Block Assembly

*Drawing number 50137*

#### A. Installing the Li-Cor Sensor

1. Set sensor into mount (P/N 231949) as shown in SBE DWG 50137. Secure to mount half ring (P/N 231950) attachment and 30158 hardware.
2. Wrap hose clamp around Seacat and Mount, such that Teflon tape coated areas are in contact with Seacat housing.
3. If the Seacat Housing is metal, make sure that no Steel from the hose clamp is in contact with the housing.
4. Tighten hose clamp hand-tight.

#### SBE Drawings:

**50137** Li-Cor Mount Procedure

**PROCEDURE NUMBER: 67002**

**TITLE: Li-Cor Mount Procedure**

**REVISION: C**

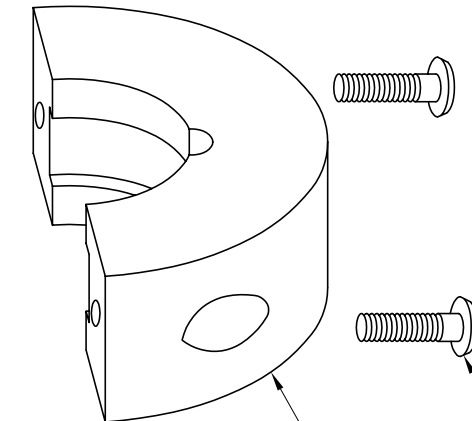
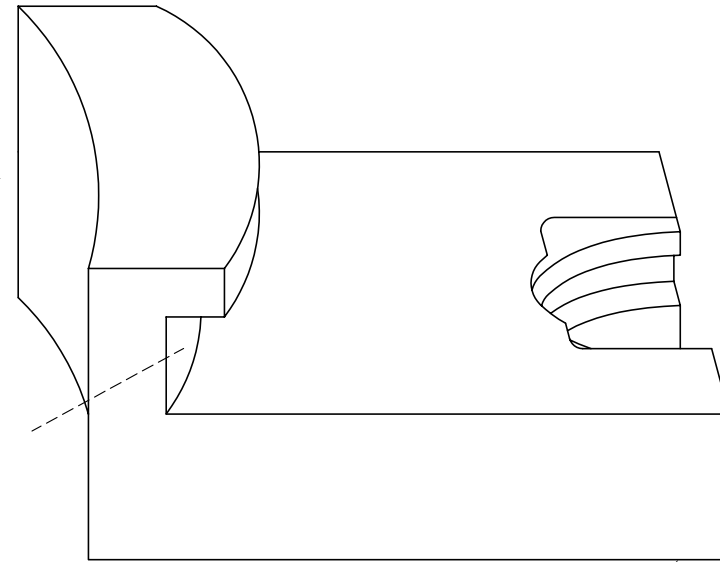
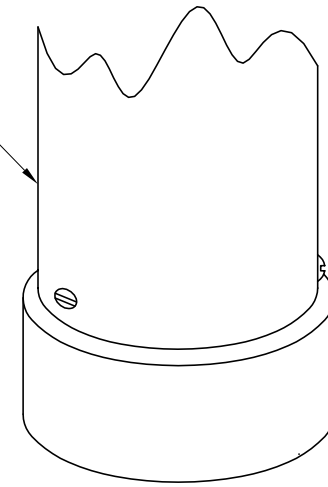
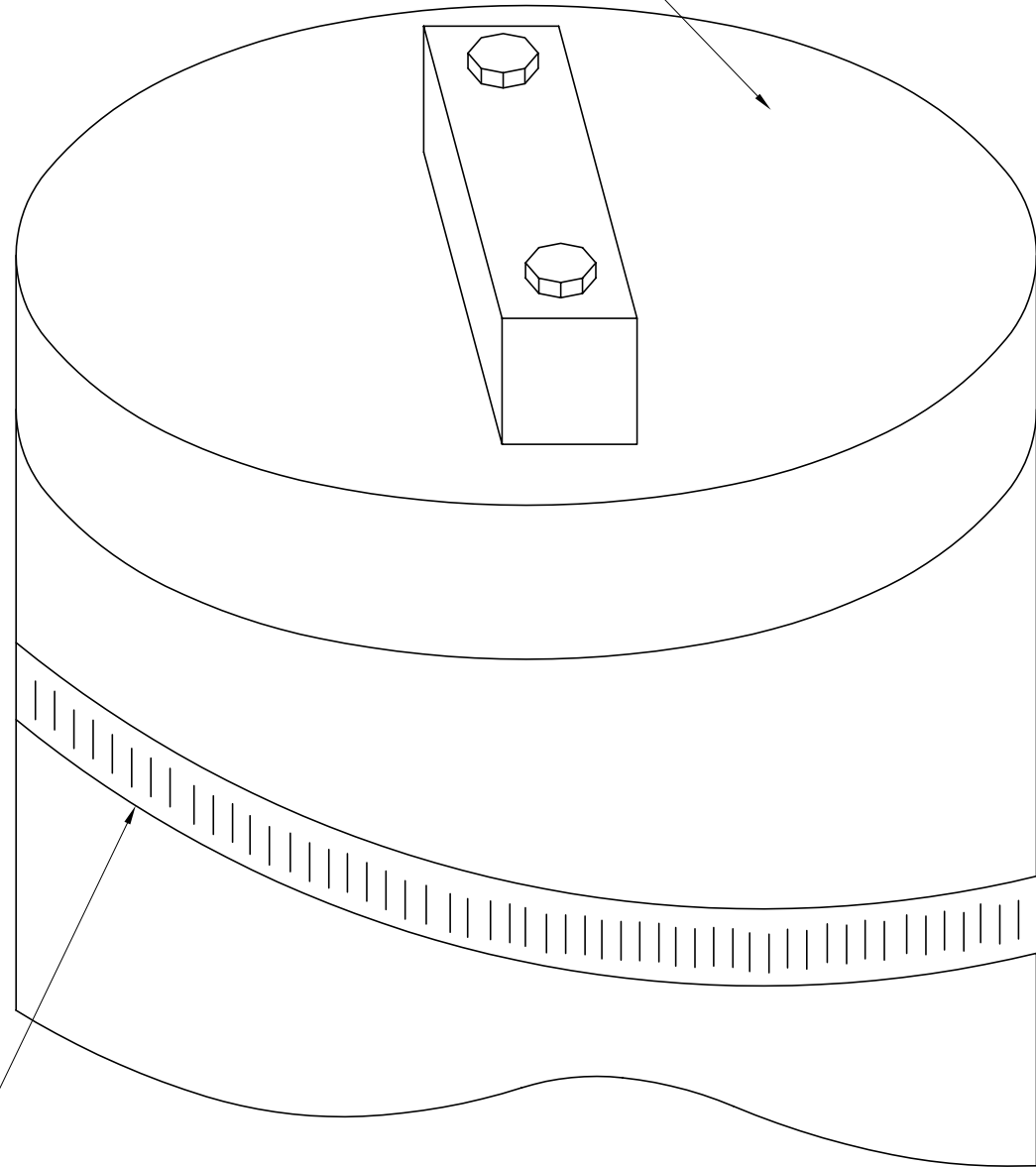
**EFFECTIVE DATE: 9/1/2004**

**CHECKED BY: \_\_\_\_\_**

DATE	SYM	REVISION RECORD	AUTH.	DR.	CK.
4/18/01	A	CHNGD P/N FOR MOUNT BLOCK		LRG	
11.27.02	B	General Drawing Updates	MJ	MJ	CK.
9.2.04	C	Changed Clamp PN	CB	KLP	

SEACAT BATTERY ENDCAP

LI-COR SENSOR



P/N 231950, SEACAT LI-COR MOUNT BLOCK #1

P/N 231949, SEACAT LI-COR MOUNT BLOCK #2

P/N 30988, HOSE CLAMP, AWAB 316 STAINLESS STEEL, #80 (P/N 30409, TEFLON TAPE ATTACHED TO UNDERSIDE OF CLAMP) C

P/N 30158, MACH SCREW 8-32 x 3/4" PH, SS (2 PLACES)

TOLERANCES	SEA-BIRD ELECTRONICS, INC			
FRACTIONAL	P/N 50075	SCALE NTS	DRAWN BY CEG	APPROVED BY
DECIMAL	TITLE SEACAT LI-COR MOUNTING KIT			
ANGULAR	DATE 5/1/98	DWG NO. 50137	REV C	